

# KEROS-Lite CK02Ax

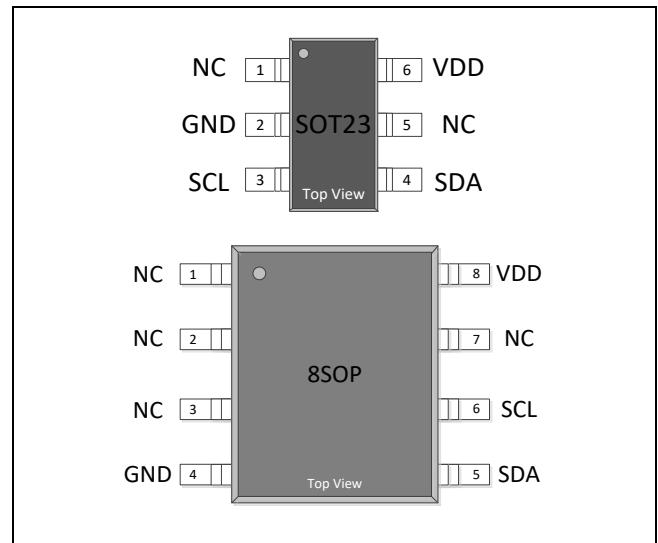
## General Description

The KEROS-Lite is a family of high performance **AES256 CODEC**.

## Features

- A illegal Copy Protection IC
- Random Stream Cipher for Interface
- 512bits OTP cells for System area  
Support 40-bit Unique serial number
- I2C Communication Protocol
- Contents Encryption and Decryption
- Input Voltage Range 1.8V ~ 3.6V
- Power On/Off for Low Power Mode
- Available Package SOT23/8SOP

## Pin Configuration



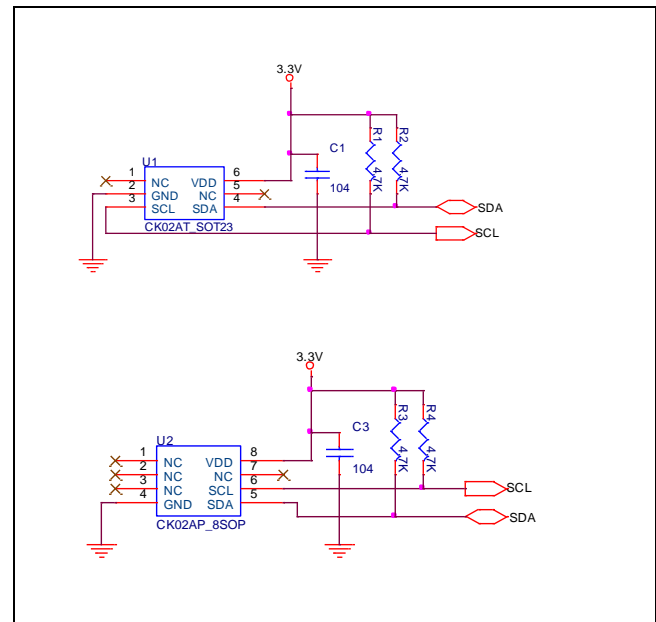
## Benefits

- Illegal copy protection
- Mass production control
- Receiving royalty from SW/HW
- Anti-clone protection
- Device Authentication
- Software piracy prevention

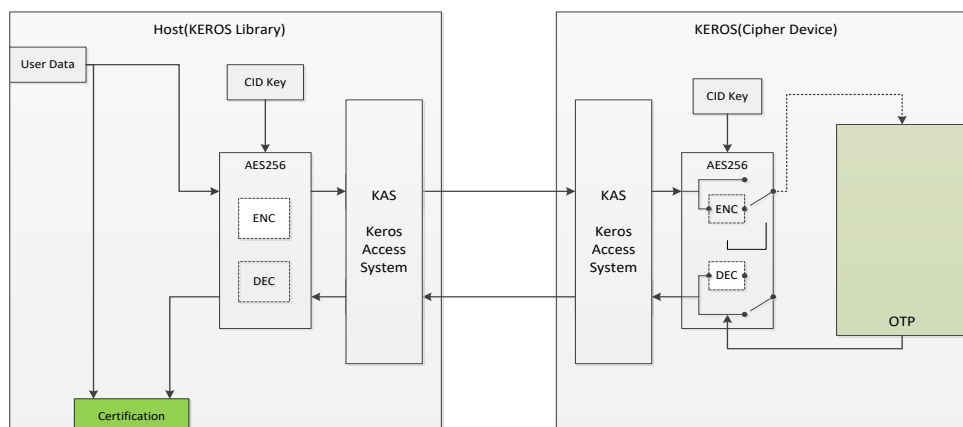
## Applications

- All of Electronic Systems Using MCU/CPU/AP
- IoT
- Surveillance, Set Top Box
- Medical Equipment
- Finger Print, Irises, Voice recognition System
- Various Modules

## Typical Operation Circuit



## Authorization Flow



D-610, Bundang Technopark, 700, Pangyo-ro, Bundang-gu, Seongnam-si, Gyeonggi-do, Korea, 13516

T +82-70-7753-2270

F +82-70-7753-2278

Email [info@chipsbrain.co.kr](mailto:info@chipsbrain.co.kr)

Web [www.chipsbrain.co.kr](http://www.chipsbrain.co.kr)

Version 1.000 2017